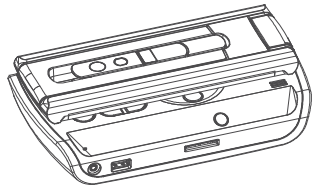
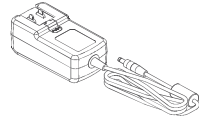


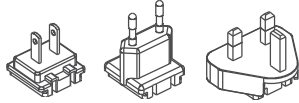
● PACKAGE CONTENTS



□ MO-2



□ AC adapter



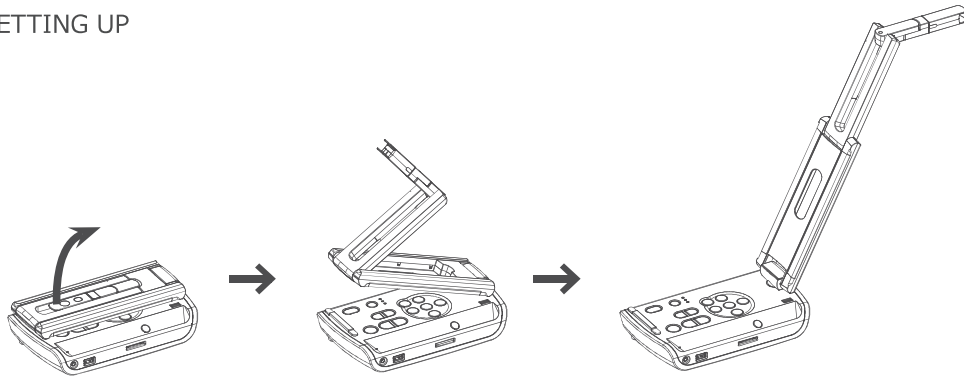
□ Power plug

- Warranty Card
- IMPORTANT SAFEGUARDS
- Quick Start Guide (this book)

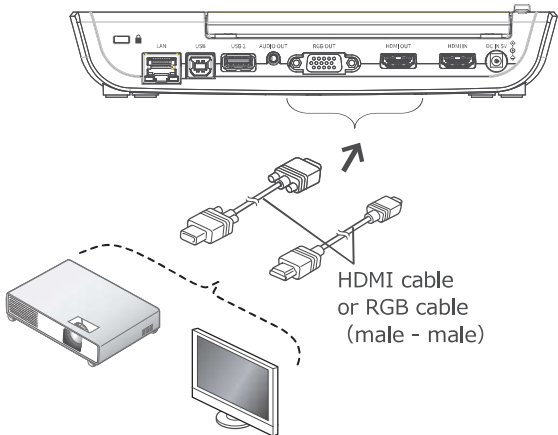
※ Caution
Make sure to read the "IMPORTANT SAFEGUARDS" before using this product.

● PREPARATION

● SETTING UP

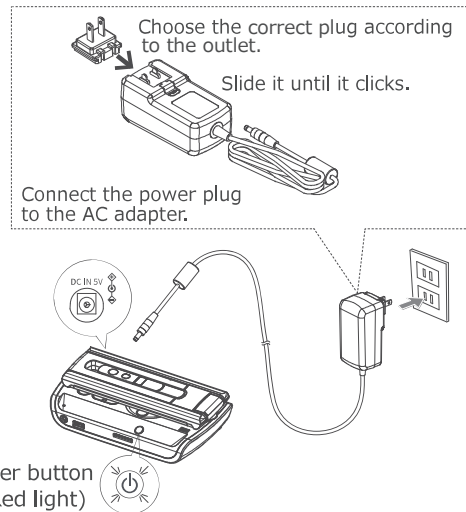


● Connect a display device such as a monitor.



HDMI cable or RGB cable (male - male)

● Connect the AC adapter.



Power button (Red light)

● USING THE PRODUCT

1. Turn on the power.

Blue light



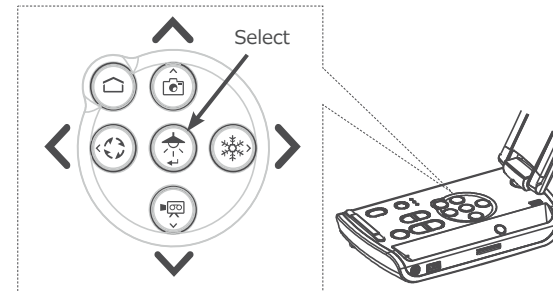
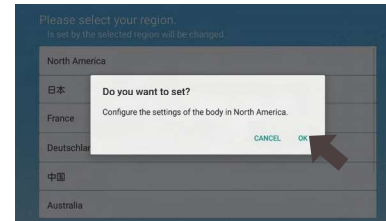
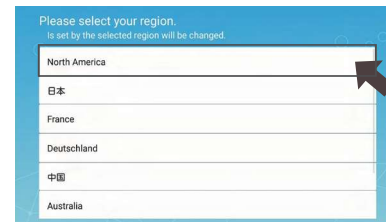
long press

Startup window



2. Select the area.

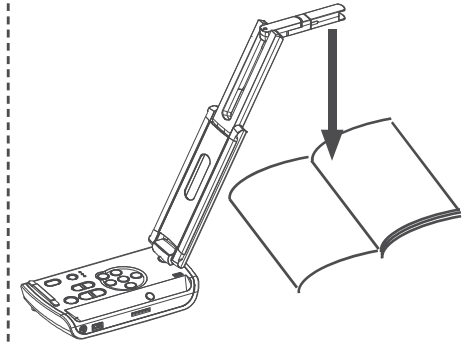
※ Need to be configured when the product is started for the first time or when the initialization is performed.



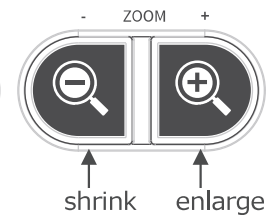
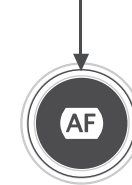
3. The camera image appears.



4. Place an object to be displayed under the camera.



Auto focus



shrink enlarge

● DETAILED USAGE OF THE PRODUCT

For detailed information about the Instruction Manual and tutorial videos, refer to the following website:

<https://www.elmoussa.com/>



<https://www.elmoeurope.com/index.php/en/>

